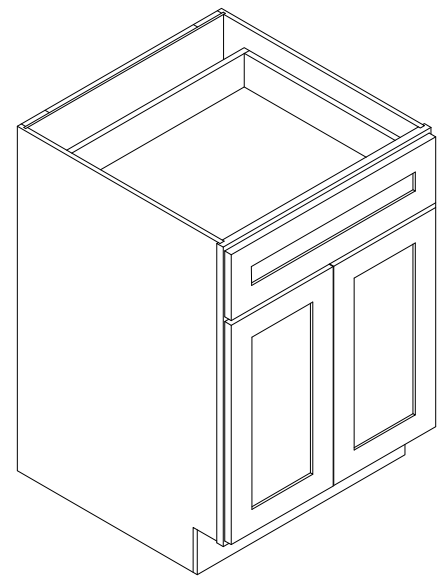




# ASSEMBLY INSTRUCTIONS

B24/B27/B30

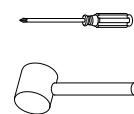


### Parts list

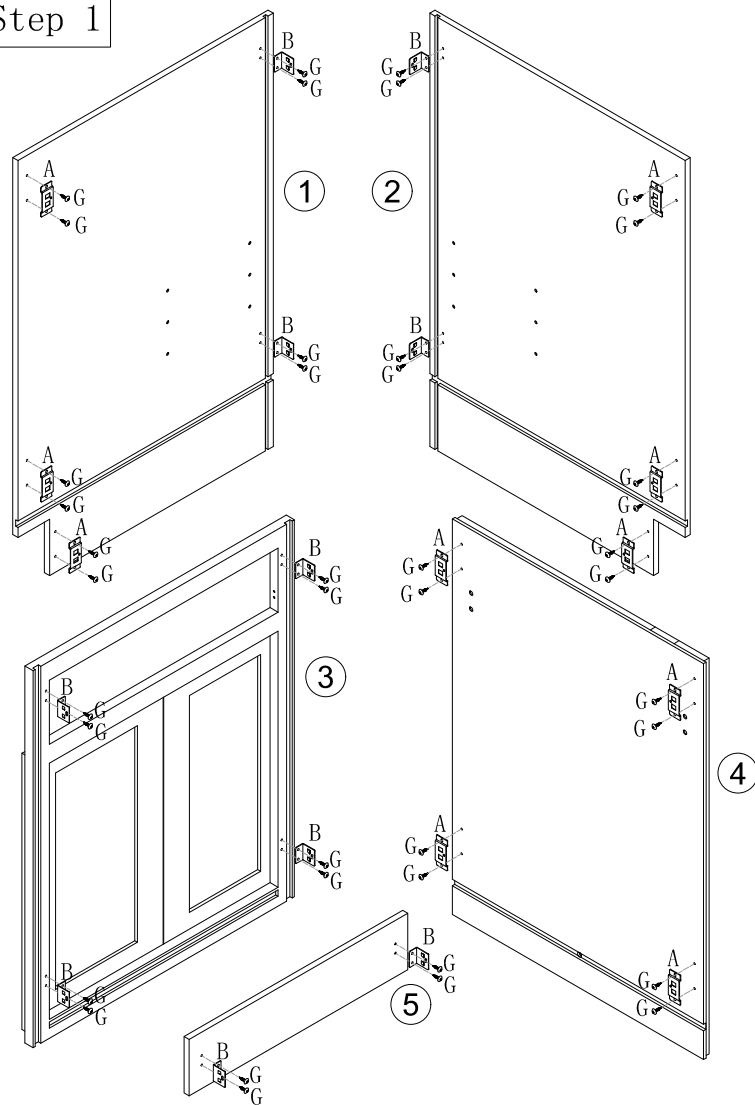
NO.	Parts	QTY
A		10
B		10
C		4
D		16
E		4

NO.	Parts	QTY
F		1
G		50
H		1

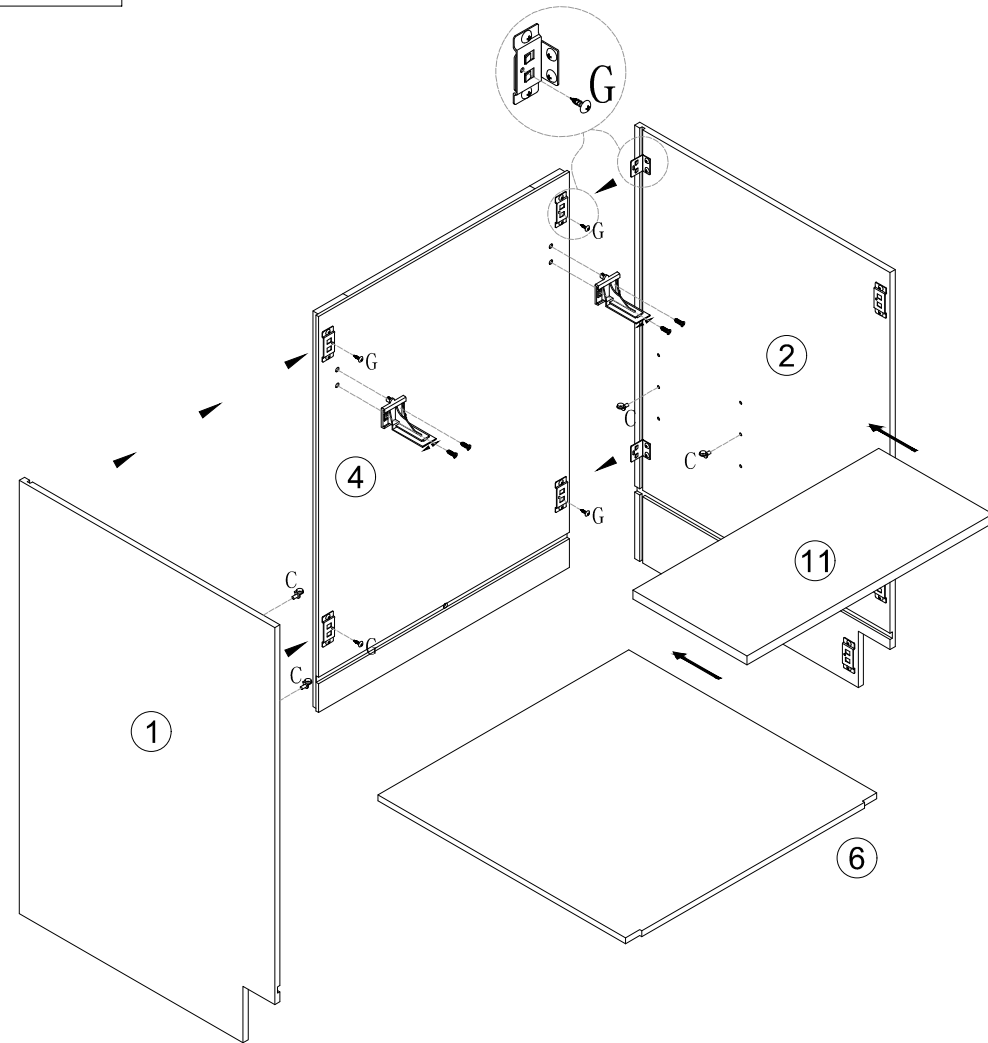
Tools  
(required but not provided)



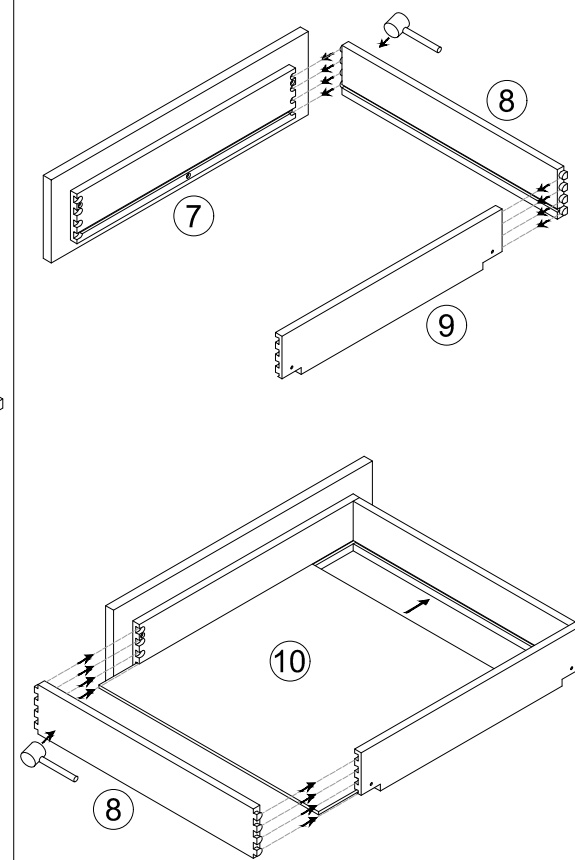
### Step 1



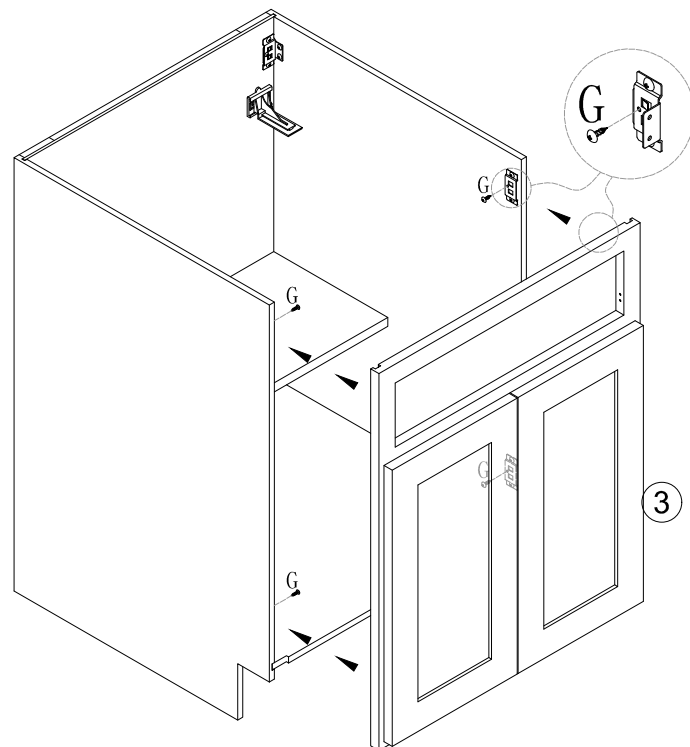
### Step 2



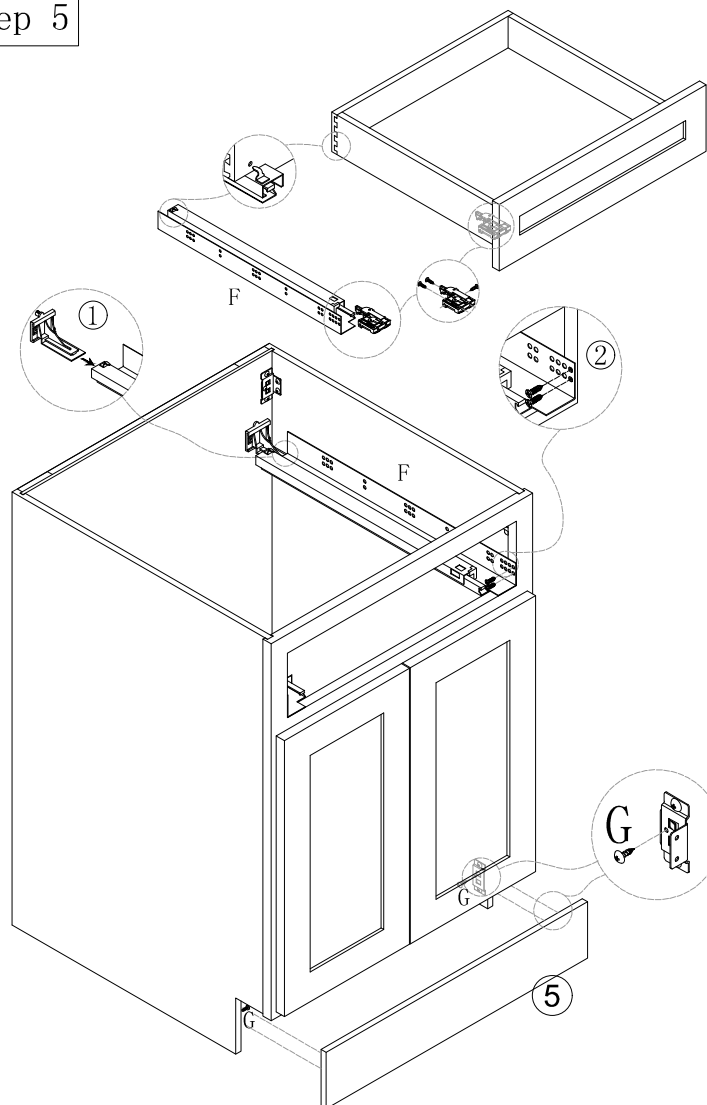
### Step 3



### Step 4



### Step 5



### Finished

